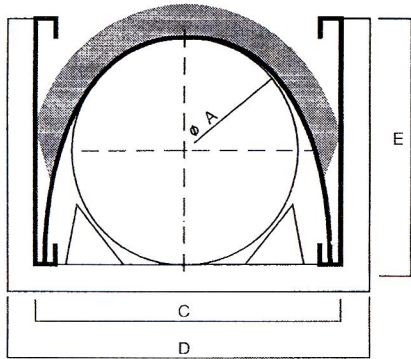


Szerkezeti elemek, méretek

Dimensions of the radiant band



Dimensions			
Level	1 pipe	2 pipe	4 pipe
A	Ø300	Ø300	Ø300
B	-	335	333
C	512	850	1502
D	580	918	1570
E	374	374	374
Poids (kg)	19	28	48

Tab.7

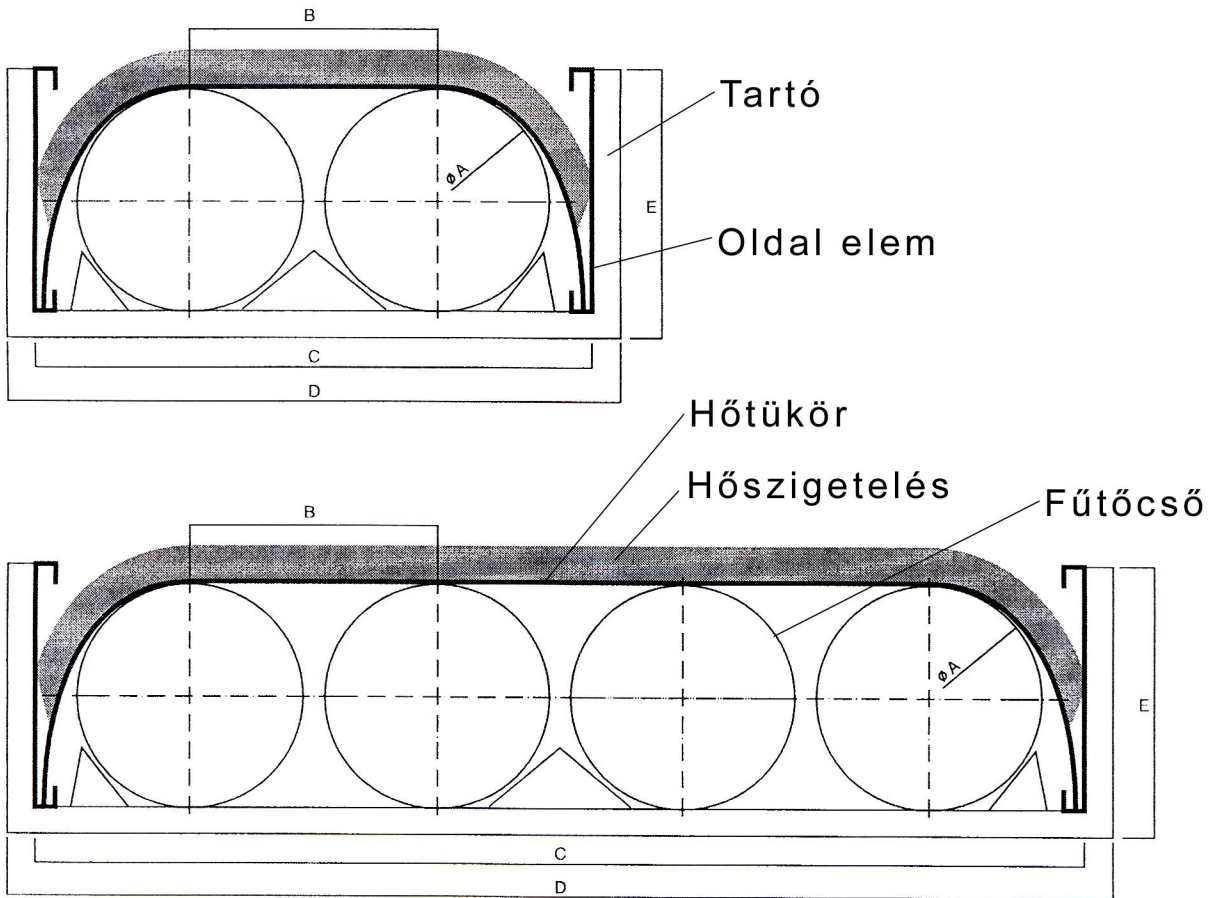


Fig.3 Overall dimensions of the band